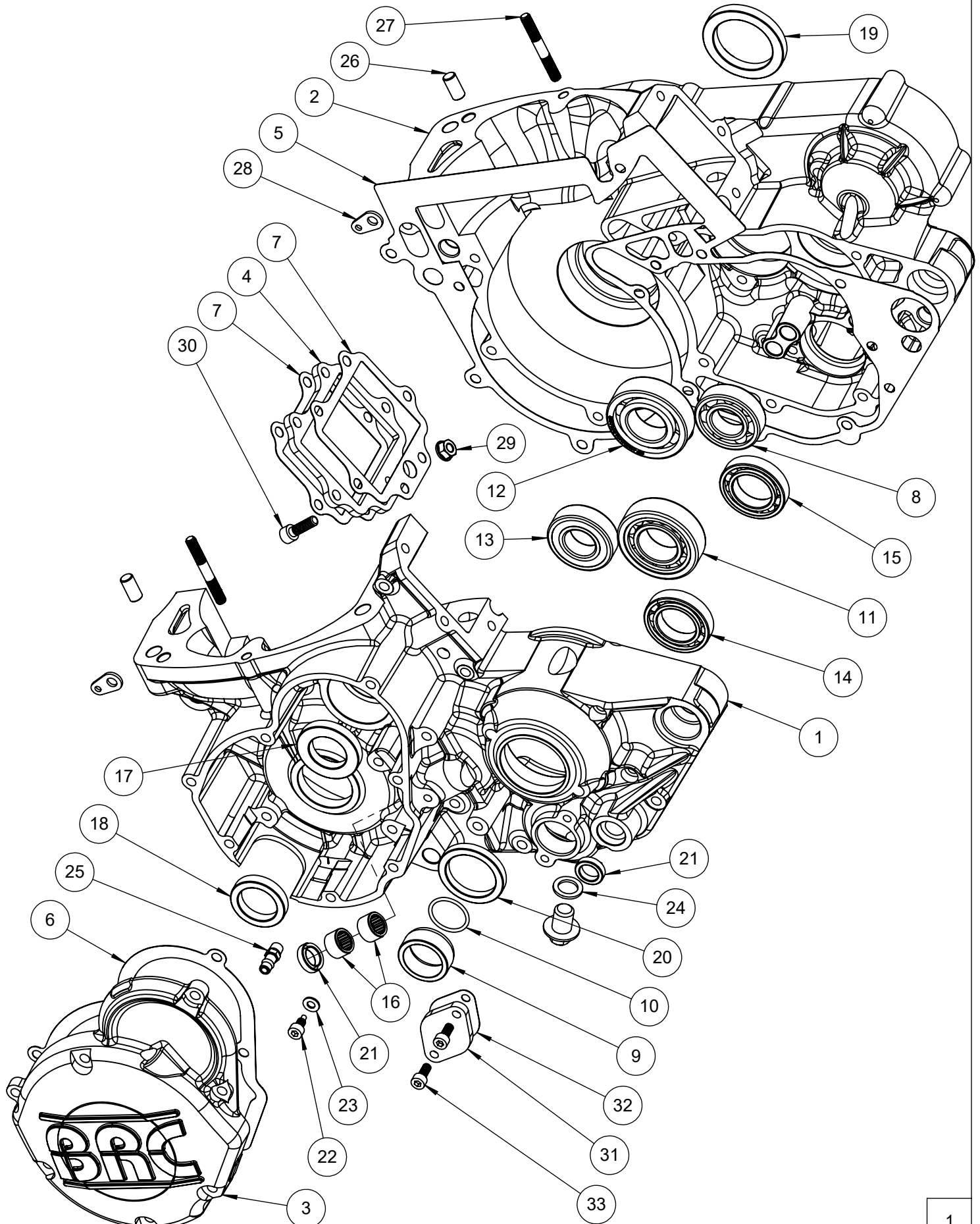


THIS IS NOT AN ASSEMBLY GUIDE OR A COMPLETE LISTING OFF ALL PARTS IN YOUR ENGINE.
THIS BOOKLET SERVES AS A QUICK REFERENCE FOR THE COMPONENTS BRC SUPPLIES IN YOUR KIT.
SOME YAMAHA (NOT ALL) PARTS ARE SHOWN FOR CLAIRIFICATION OF LOCATION.
PLEASE REFER TO YOUR YAMAHA SERVICE MANUAL AND DEALER PARTS LISTINGS.



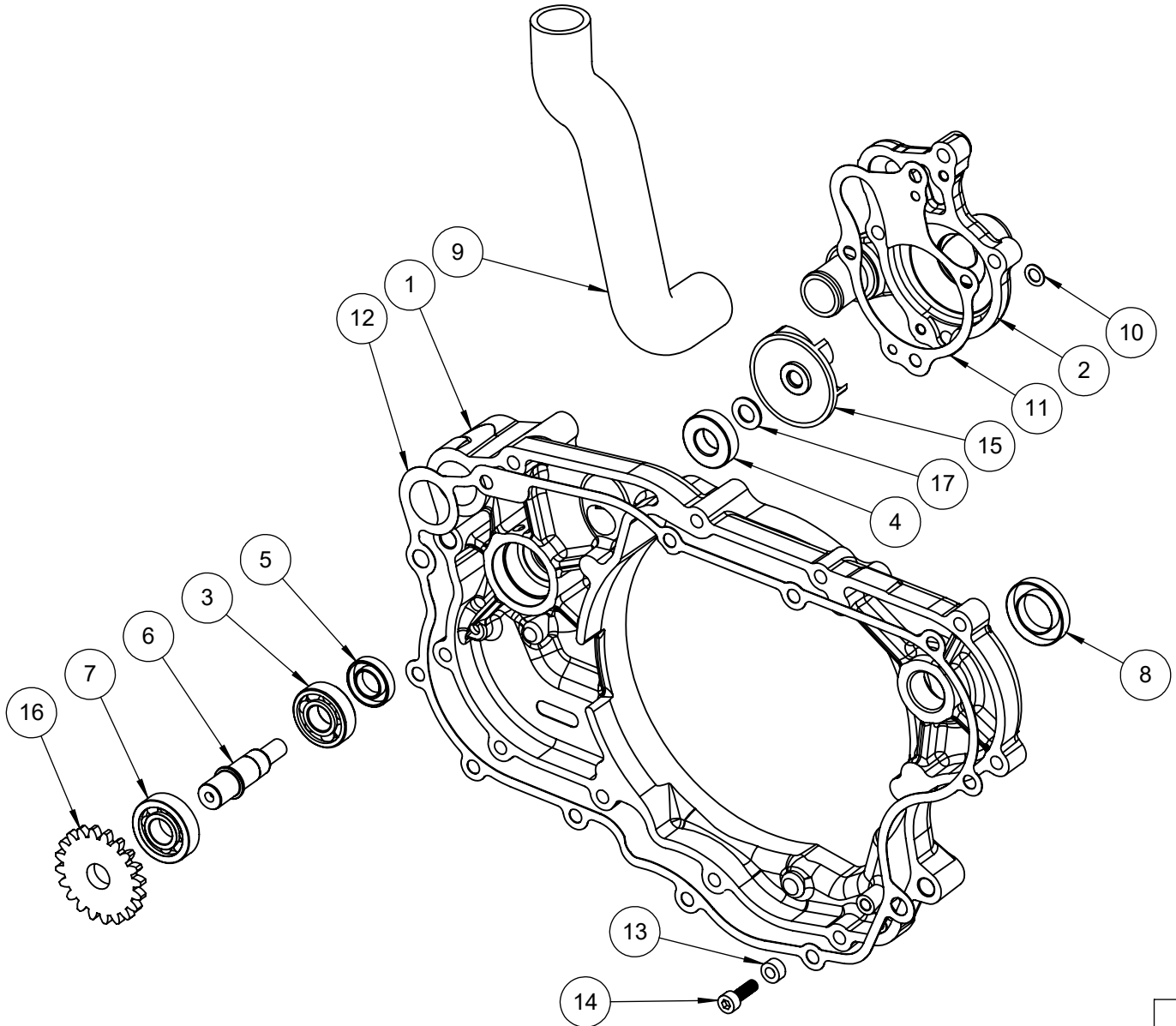


YAMAHA MY99+ YZM500

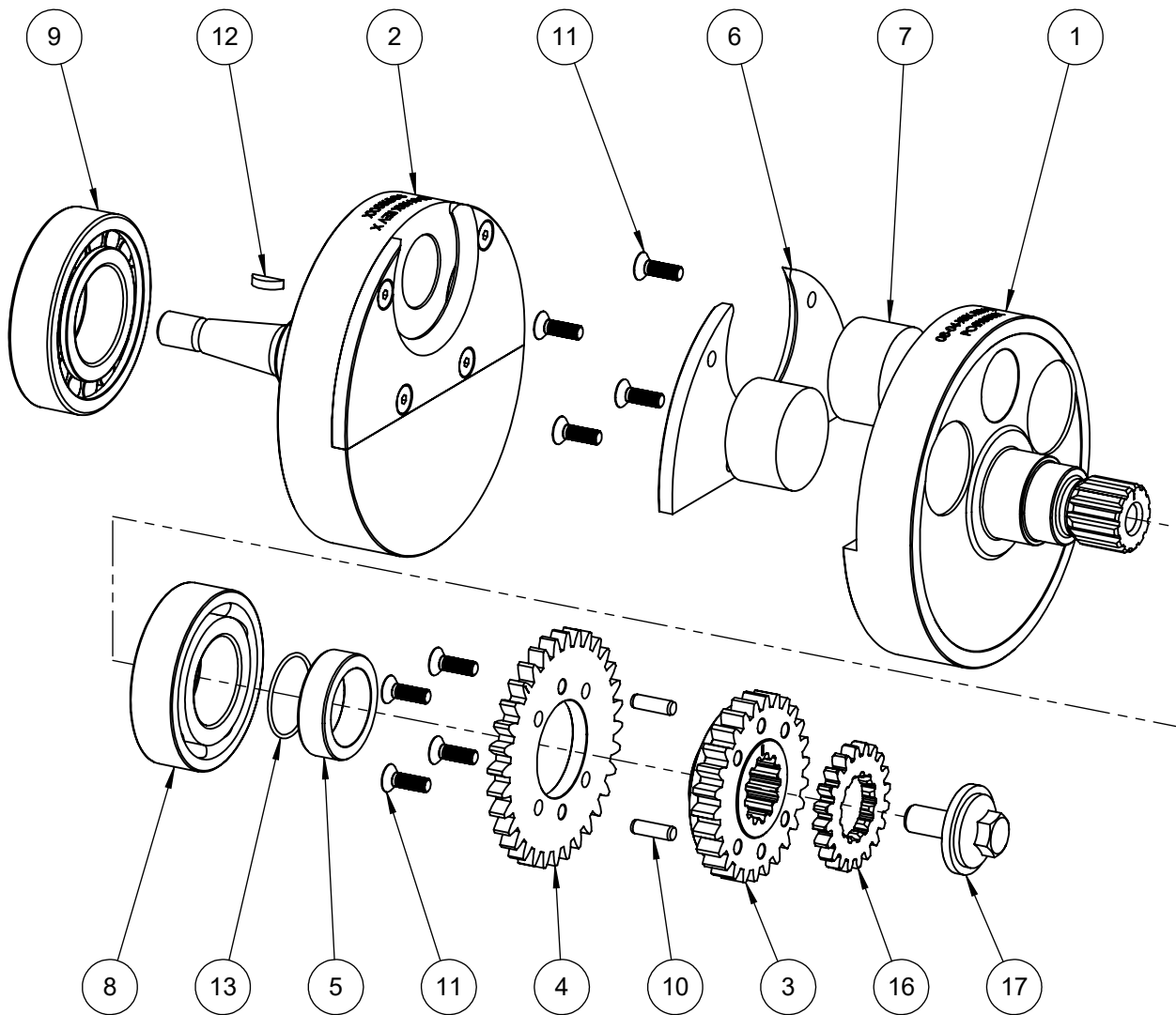
CRANKCASE

ITEM	PART NUMBER	DESCRIPTION	QUANTITY
1	08-01-004	YZM500 - Left Crankcase	1
2	08-01-002	YZM500 - Right Crankcase	1
3	08-01-008	YZM500 - Stator Cover	1
4	08-08-002	YZM500 - Reed Cage Spacer	1
5	08-01-009	YZM500 - Center Case Gasket	1
6	08-01-011	YZM500 - Stator Cover Gasket	1
7	08-08-001	YZM500 - Intake Gasket	2
8	01-09-013	Ball Bearing, 6004C3 (20 x 12 x 42mm)	1
9	08-05-007	YZ250 Output Shaft Collar	1
10	01-06-027	O-Ring, 22 x 2mm 70 NBR	1
11	01-09-007	Cylindrical Roller Bearing, NJ205EC3 (25 x 15 x 52mm) - DIFFERS FROM YAMAHA, USE KTM 49030023000	1
12	01-09-023	Ball Bearing, 6205ZC3 (25 x 15 x 52mm)	1
13	01-09-055	Ball Bearing, 6004RSC3 (20 x 12 x 42mm)	1
14	01-09-053	Ball Bearing, 6905 (25 x 9 x 42mm)	1
15	01-09-054	Ball Bearing, 6905RS (25 x 9 x 42mm)	1
16	01-09-014	Needle Bearing, HK1210 (12 x 10 x 16mm)	2
17	01-08-015	Oil Seal, 24 x 40 x 7mm	1
18	01-08-010	Oil Seal, 25 x 35 x 7mm	1
19	01-08-011	Oil Seal, 38 x 52 x 7mm	1
20	01-08-019	Oil Seal, 32 x 42 x 6mm	1
21	01-08-016	Oil Seal, 12 x 18 x 5mm	2
22	-	Yamaha Dog Point SHC M5 x 0.8 x 12mm, 90109-05009-00	-
23	01-12-014	Copper Washer, 5.3 x 10 x 1mm	1
24	01-12-013	Copper Washer, 12 x 18 x 1.5mm	1
25	01-15-005	Hose Barb Fitting, 0.0625in NPT x 0.25in	1
26	01-07-009	Dowel Pin, 8 x 16mm	2
27	01-01-042	Double Ended Stud, M6 x 1.0 x 49mm	2
28	08-09-015	Exhaust Spring Tab	2
29	01-02-016	Hex Flange Nut, M6 x 1.0	1
30	01-01-002	SHC M6 x 1.0 x 20mm	1
31	08-05-010	Neutral Switch Block-Off Plate, 2010 and Prior Only	1
32	08-05-011	Neutral Switch Block-Off Plate Gasket, 2010 and Prior Only	1
33	01-01-154	SHC M5 x 0.8 x 12mm	2
-	08-01-012	MY99+ YZM500 Gasket Kit	-

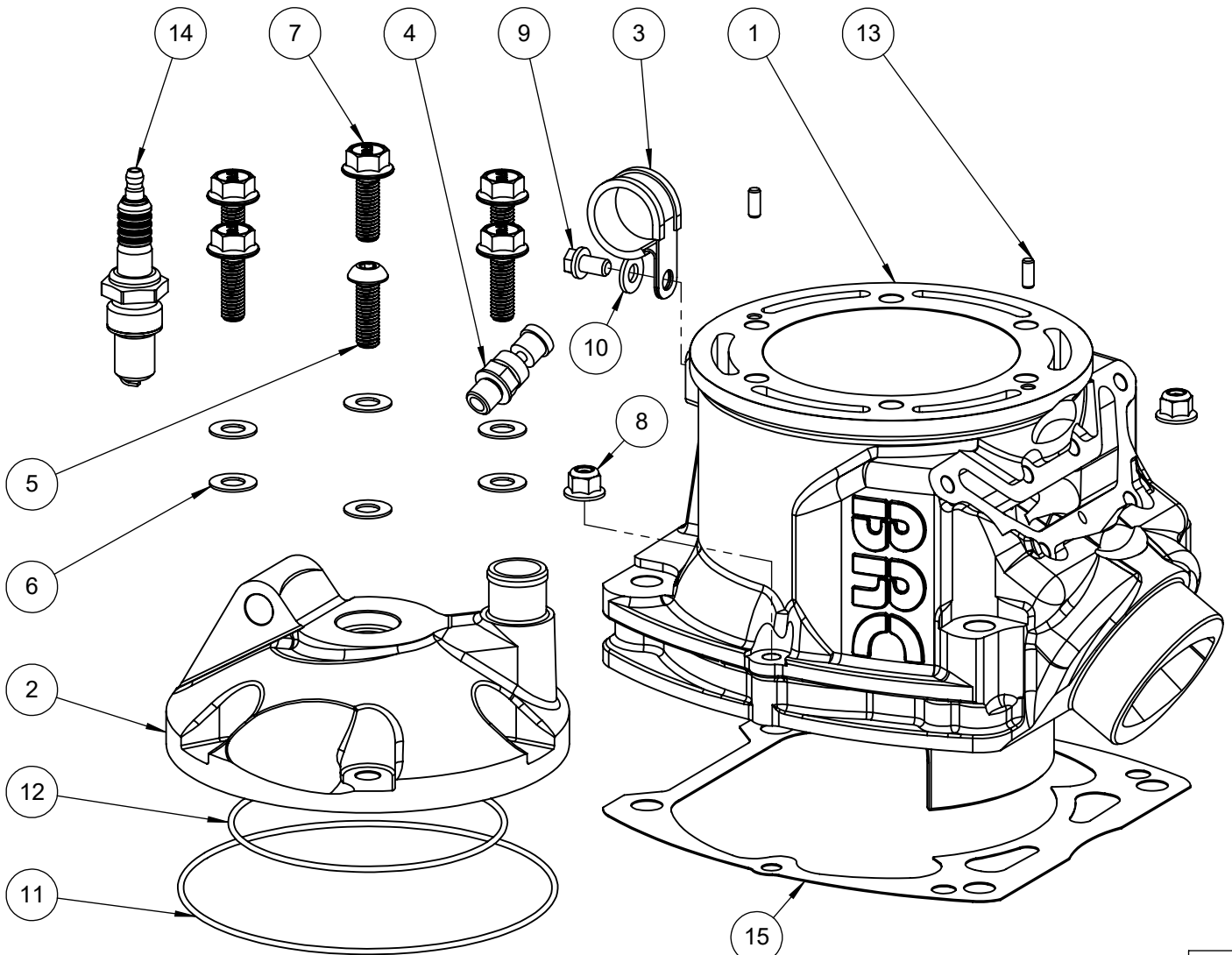
ITEM	PART NUMBER	DESCRIPTION	QUANTITY
1	08-01-006	YZM500 - Primary Cover	1
2	08-11-002	YZM500 - Water Pump Cover	1
3	01-09-027	Ball Bearing, 6001C3 (12 x 8 x 28mm)	1
4	01-08-18	Oil Seal, 12 x 25 x 7mm	1
5	01-08-017	Mechanical Seal, 12 x 22 x 5mm	1
6	08-11-009	YZM500 - Water Pump Shaft	1
7	01-09-052	Ball Bearing, 16101C3 (12 x 8 x 30mm)	1
8	01-08-020	Oil Seal, 18 x 30 x 6mm	1
9	08-11-003	YZM500 - Water Pump Coolant Hose	1
10	01-12-007	Copper Washer, 6 x 10 x 1mm	1
11	08-11-008	YZM500 - Water Pump Cover Gasket	1
12	08-01-010	YZM500 - Primary Cover Gasket	1
13	08-05-009	YZM500 - Shift Shaft Limit Spacer	1
14	01-01-020	SHC M5 X 0.8 X 16mm	1
15	-	Yamaha YZ250 - Water Pump Impeller	1
16	-	Yamaha YZ250 - Water Pump Gear	1
17	-	Yamaha YZ250 - Water Pump Impeller Shim	1



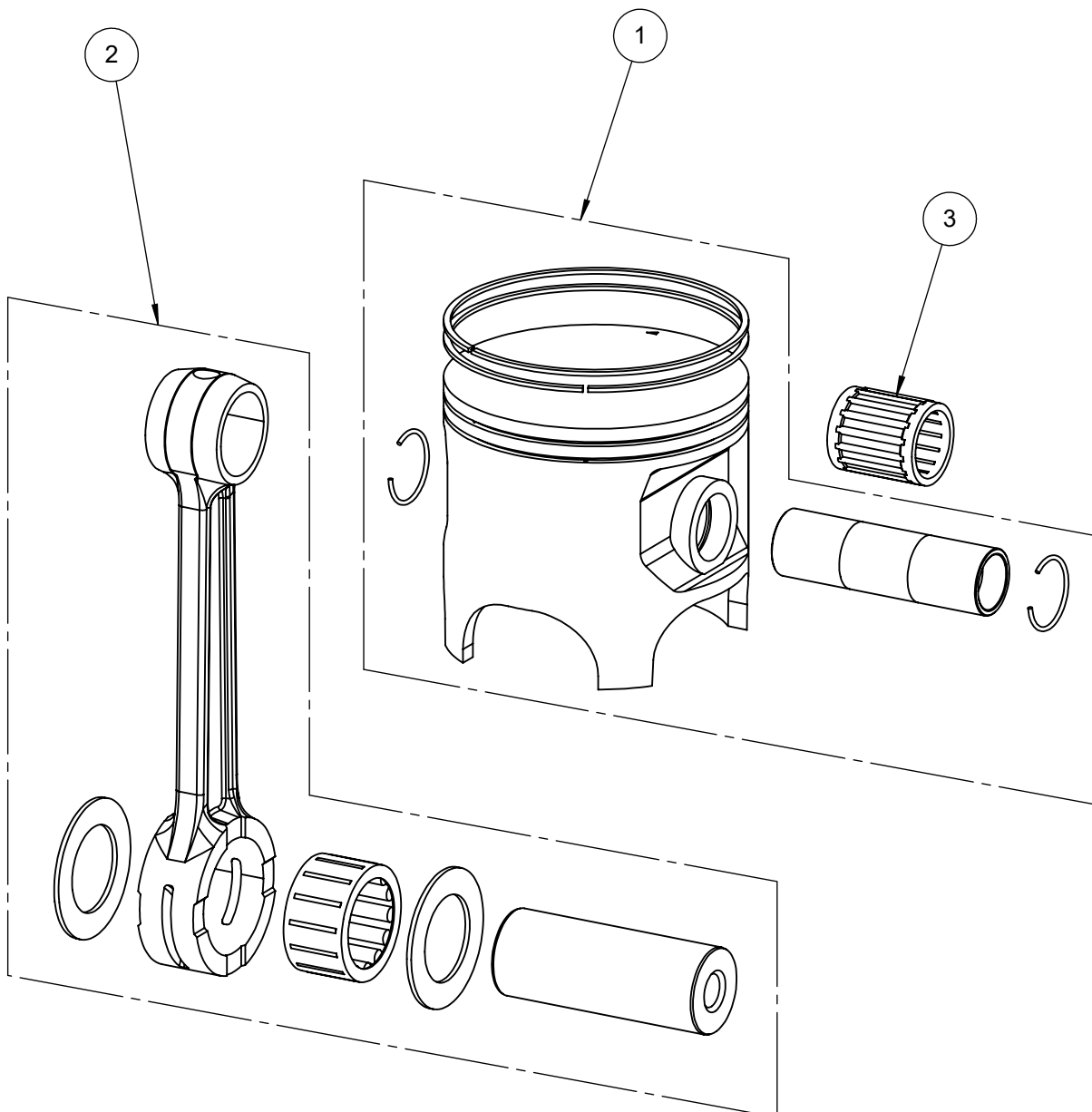
ITEM	PART NUMBER	DESCRIPTION	QUANTITY
1	08-04-002	YZM500 - Crank Half, Drive	1
2	08-04-001	YZM500 - Crank Half, Mag Taper	1
3	08-05-001	YZM500 - Primary Drive Gear, 26T	1
4	08-05-002	YZM500 - Balance Drive Gear, 32T	1
5	08-04-004	YZM500 - Primary Drive Gear Spacer	1
6	08-04-006	YZM500 - Crank Stuffer Plate	2
7	07-04-017	Crank Stuffer Button	4
8	01-09-038	Ball Bearing, NTN62-32 (32 x 65 x 17mm)	1
9	01-09-041	Roller Bearing, NJ207ET2XCS42 (35 x 72 x 17mm)	1
10	01-07-010	Dowel Pin, 5 x 16mm	2
11	01-01-087	FHC M5 x 0.8 x 16mm	12
12	01-13-004	Woodruff Key, 3 x 5 x 13mm	1
13	01-06-020	O-Ring, 25 x 1.5mm, NBR70	1
16	-	Yamaha YZ250 Water Pump Gear	1
17	-	Yamaha YZ250 Crank Flange Bolt & Washer	1
18	08-04-003A	MY99+ YZM500 Crankshaft with Connecting Rod Kit	-
19	07-04-004	Crankshaft Bearing Kit with Seals, Hot Rods #K066, ProX #23.CBS36004	-



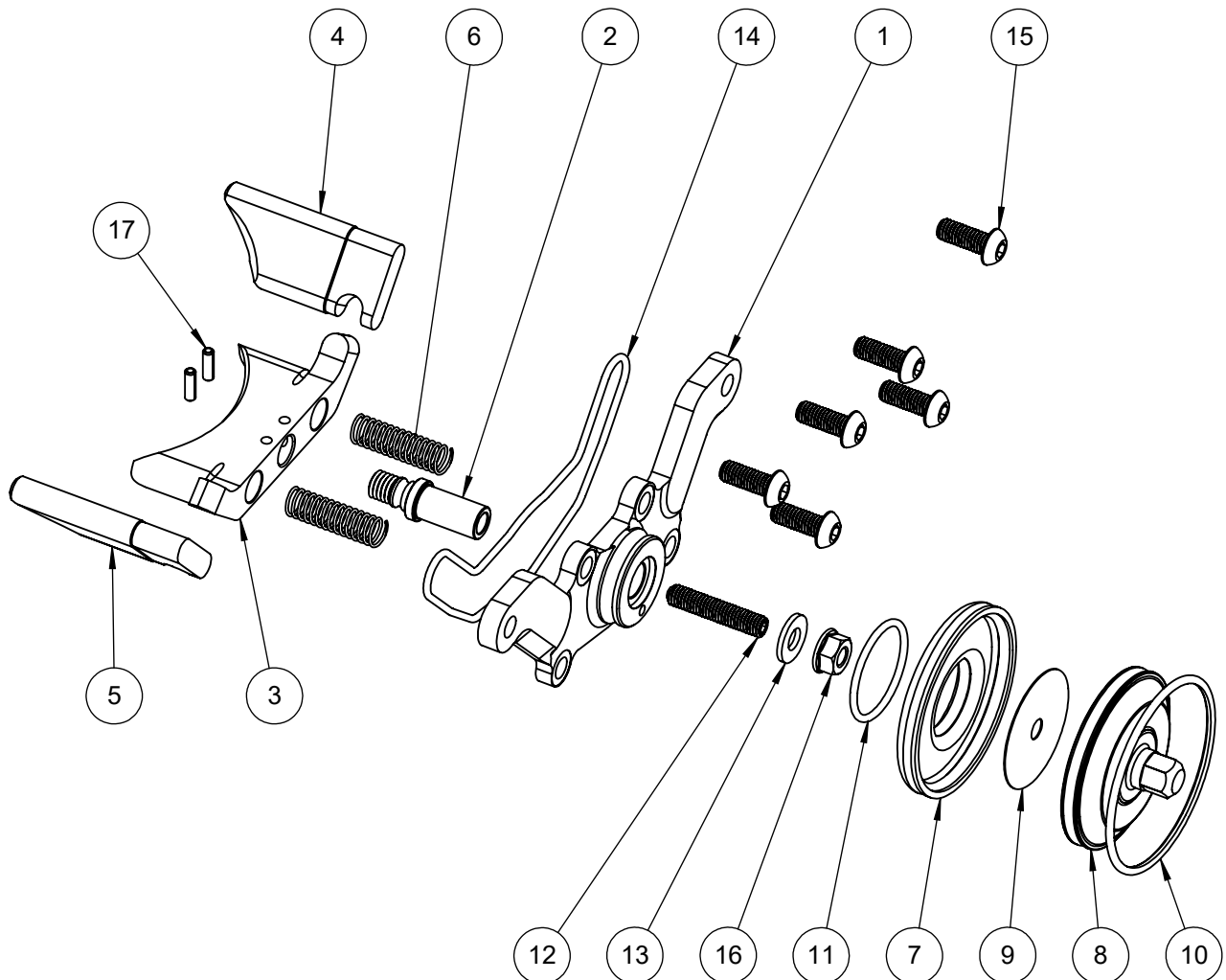
ITEM	PART NUMBER	DESCRIPTION	QUANTITY
1	08-02-002A	YZM500 Cylinder	1
2	08-12-002	YZM500 Cylinder Head, 12.8:1	1
3	01-15-014	Cushion Cable Clamp, 25mm	1
4	01-15-004	Decompression Valve, M10x1	1
5	01-01-142	BHC M8 x 1.25 x 25mm	1
6	01-12-006	Copper Washer, 8.3 x 16.5 x 0.9mm	6
7	01-01-088	Flanged Hex Bolt Gr 10.9, M8 x 1.25 x 25mm	5
8	01-02-011	Flange Nut Nylock, M6	2
9	01-01-059	Reduced Head Hex Bolt, M6x1.0x10mm	1
10	01-03-048	Washer, 6.5x14x1.5mm	1
11	01-06-018	O-Ring, 128 x 2mm NBR70	1
12	01-06-017	O-Ring, 93 x 2mm NBR70	1
13	01-07-008	Dowel Pin, M4 x 10	2
14	01-17-001	Spark Plug, NGK BR7ES	1
14	01-17-005	Spark Plug, NGK BR8ES (Hot Weather)	-
15	08-02-003	YZM500 Base Gasket 0.3mm, Cometic B1528012F	1
15	08-02-004	YZM500 Base Gasket 0.4mm, Cometic B1528015F	1
15	08-02-005	YZM500 Base Gasket 0.5mm, Cometic B1528020F	1



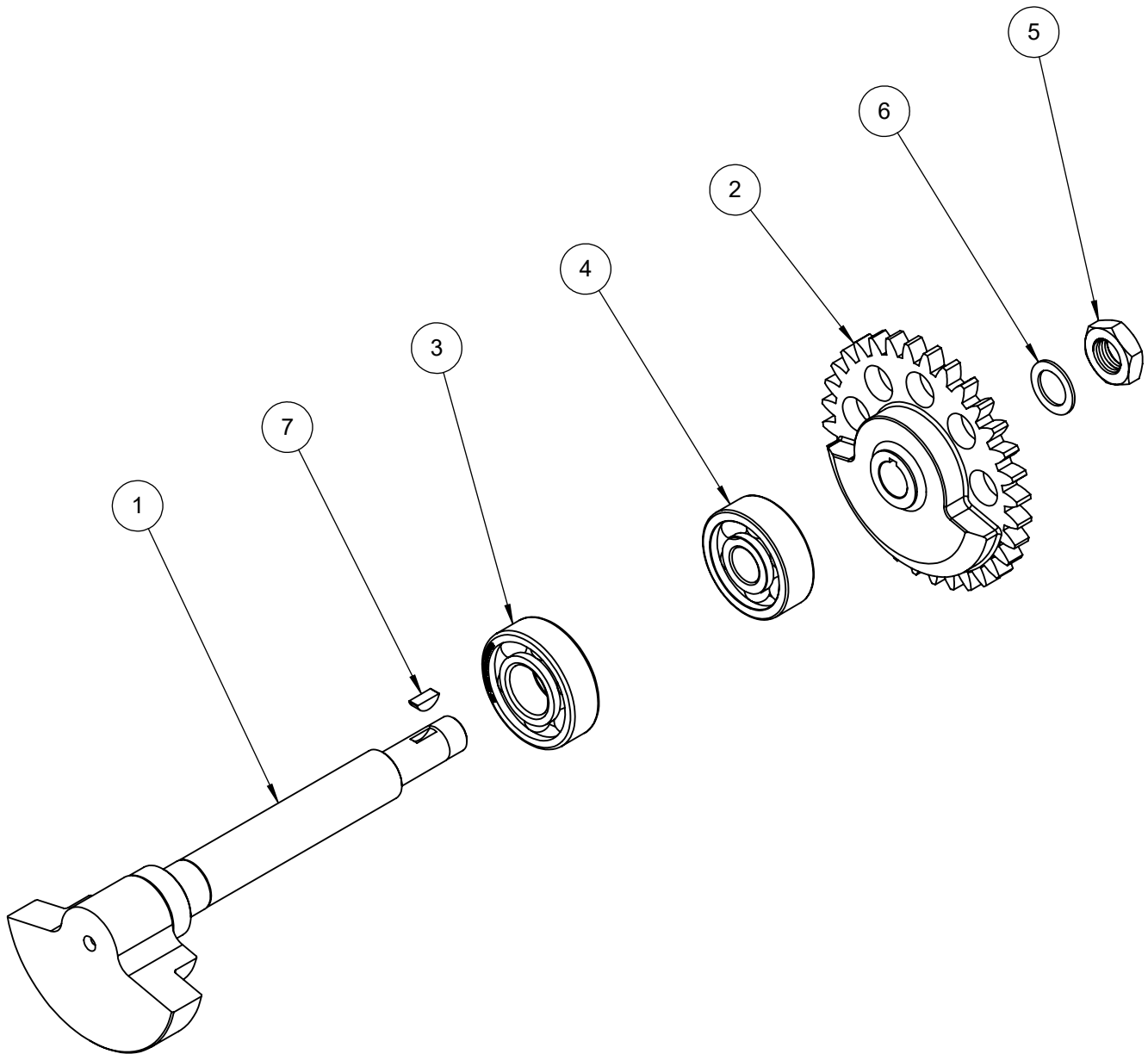
ITEM	PART NUMBER	DESCRIPTION	QUANTITY
1	01-14-008	CR500 Piston Kit, Vertex 89mm #22447	1
2	01-11-003	CR500 Connecting Rod Kit, 144mm #3.1406	1
3	01-09-044	Wrist Pin Bearing, 20 x 25 x 29mm	1



ITEM	PART NUMBER	DESCRIPTION	QUANTITY
1	08-03-001	YZM500 - Power Valve Cover	1
2	08-03-005	YZM500 - Power Valve Shaft	1
3	08-03-002	YZM500 - Power Valve Blade, Center	1
4	08-03-004	YZM500 - Power Valve Blade, Left	1
5	08-03-003	YZM500 - Power Valve Blade, Right	1
6	01-10-012	YZM500 - Power Valve Spring	2
7	02-03-025	Pneumatic Power Valve Bellow	1
8	02-03-027	Pneumatic Power Valve Cap	1
9	07-03-010	Power Valve Cap Shield	1
10	02-03-026	Bellow Retaining Spring, Large	1
11	02-03-035	Bellow Retaining Spring, Small	1
12	01-01-145	SHSS Cup Point M6 x 30mm	1
13	01-03-048	Washer, 6.5x14x1.5mm	1
14	01-06-023	O-Ring, 83 x 2mm	1
15	01-01-153	BHC M6 x 16mm	6
16	01-02-016	Hex Flange Nut, M6 x 1.0	1
17	01-07-016	Spring Pin, 3 x 10mm	2



ITEM	PART NUMBER	DESCRIPTION	QUANTITY
1	08-05-004	YZM500 - Balance Shaft	1
2	08-05-003	YZM500 - Balance Shaft Driven Gear, 32T	1
3	01-09-004	Ball Bearing, 6203C3 (17 x 40 x 12mm)	1
4	01-09-047	Ball Bearing, 6301C3 (12 X 37 X 12mm)	1
5	01-02-014	Thin Hex Nut, M12 x 1.25	1
6	01-03-043	Shim, 12 x 18 x 1mm	1
7	01-13-006	Woodruff Key, 3 x 3.7 x 10mm	1



ITEM	PART NUMBER	DESCRIPTION	QUANTITY
1	08-09-004	YZM500 - Stamped Pipe	1
2	08-09-008	YZM500 - Silencer	1
3	01-06-019	O-Ring, 58x3mm, Viton 75	3

