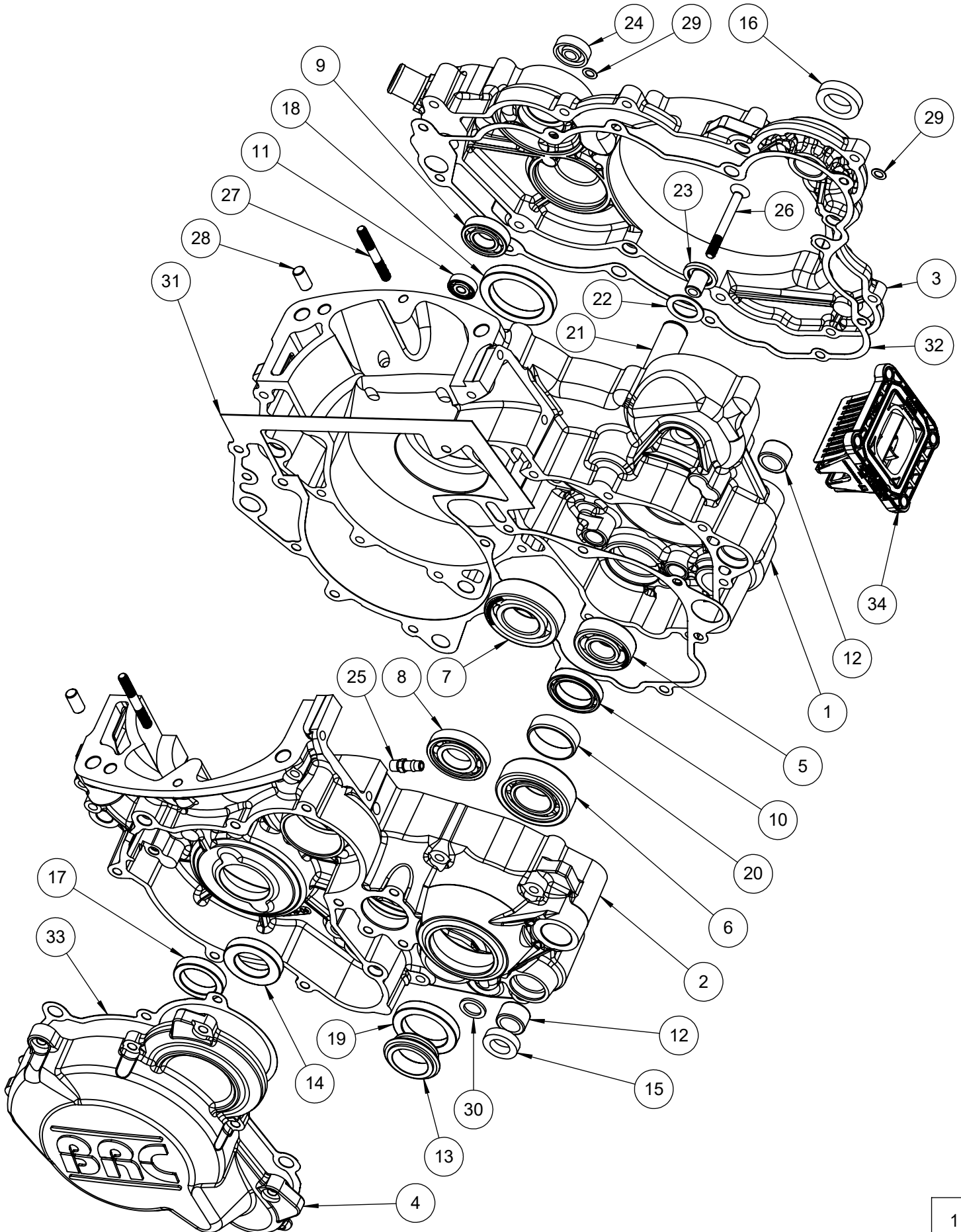


THIS IS NOT AN ASSEMBLY GUIDE OR A COMPLETE LISTING OF ALL PARTS IN YOUR ENGINE.
THIS BOOKLET SERVES AS A QUICK REFERENCE FOR THE COMPONENTS BRC SUPPLIES IN YOUR KIT.
SOME KTM (NOT ALL) PARTS ARE SHOWN FOR CLAIRIFICATION OF LOCATION.
PLEASE REFER TO YOUR KTM SERVICE MANUAL AND DEALER PARTS LISTINGS.



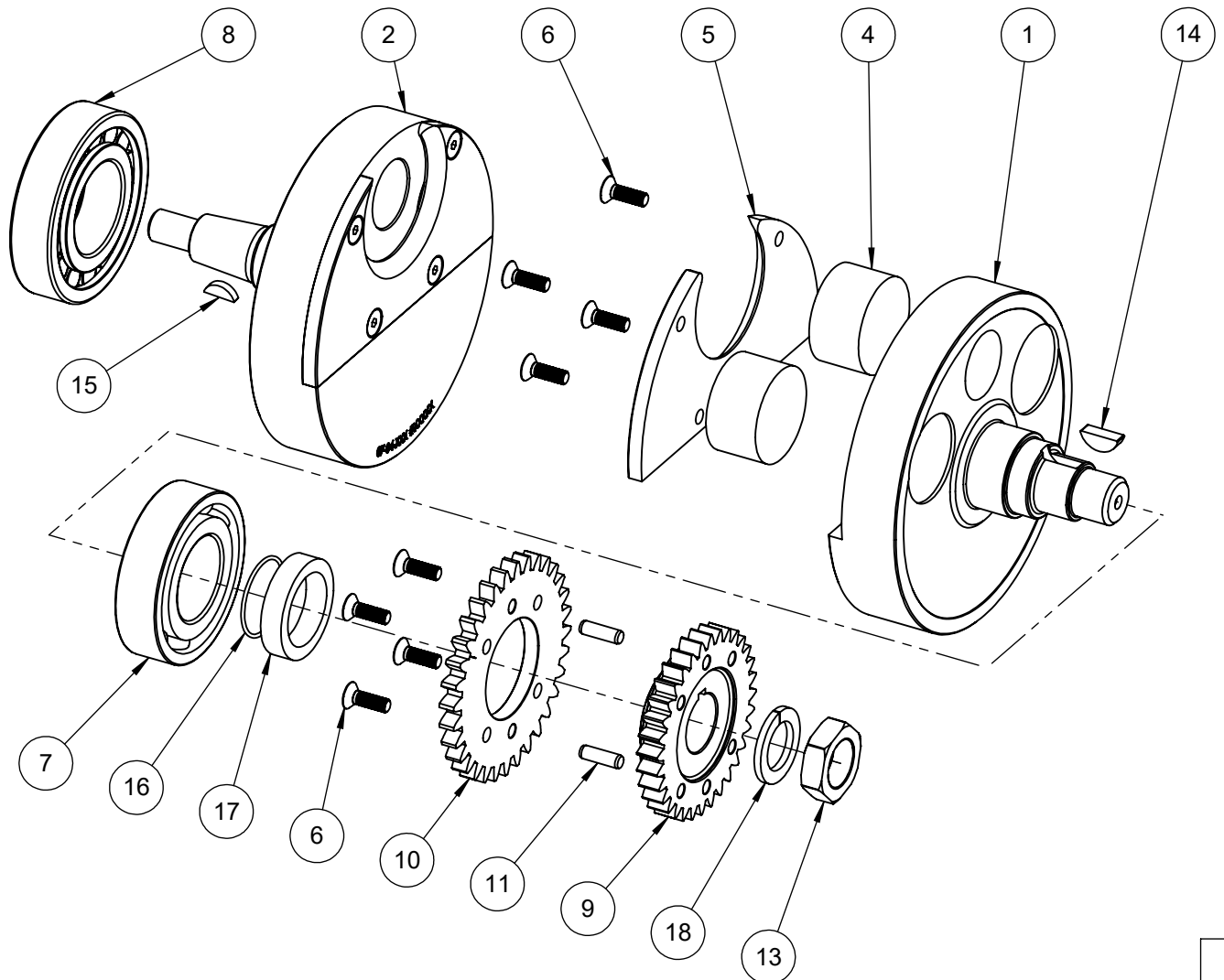


KTM MY17+ BRC500

CRANKCASE

ITEM	PART NUMBER	DESCRIPTION	QUANTITY
1	07-01-033	MY17+ Right Case, Machined	1
2	07-01-035	MY17+ XC & TPI Left Case, Machined	1
2	07-01-042	MY17+ SX Left Case, Machined	1
3	07-01-037	MY17+ Primary Cover, Machined	1
4	07-01-040	MY17+ Ignition Cover, TPI	1
4	07-01-039	MY17+ Ignition Cover, XC	1
4	07-01-041	MY17+ Ignition Cover, SX	1
5	01-09-004	Ball Bearing, 6203C3 (17 x 40 x 12mm)	1
6	01-09-007	Cylindrical Roller Bearing, NJ205EC3 (25 x 15 x 52mm)	1
7	01-09-003	Ball Bearing, 6205C3 (25 x 52 x 15mm)	1
8	01-09-036	Ball Bearing, 16004C3 (20 x 42 x 8mm)	1
9	01-09-035	Ball Bearing, 16002C3 (15 x 32 x 8mm)	1
10	01-09-037	Ball Bearing, 61805C3 (25 x 37 x 7mm)	1
11	01-09-039	Ball Bearing, 626C3 (6 x 19 x 6mm)	1
12	01-09-032	Needle Bearing, HK1412 (14 x 20 x 12mm)	2
13	07-05-030	2017+ KTM250/300 Output Shaft Kit	1
14	01-08-015	Oil Seal, 24 x 40 x 7mm	1
15	01-08-013	Oil Seal, 14 x 24 x 6mm	1
16	01-08-009	Oil Seal, 19 x 30 x 7mm	1
17	01-08-010	Oil Seal, 25 x 35 x 7mm	1
18	01-08-011	Oil Seal, 38 x 52 x 7mm	1
19	01-08-014	Oil Seal, 32 x 45 x 7mm	1
20	07-05-032	Shift Drum Bushing	1
21	07-05-005	Idler Gear Post, KTM 59033018000	1
22	-	KTM Kickstart Idler Gear Shim (50333041000)	1
23	07-05-012	Idler Gear Retainer	1
24	-	Water Pump Seal, 8 x 24 x 7mm (included in water pump kit)	1
25	01-15-005	Hose Barb Fitting, 0.0625in NPT x 0.25in	1
26	07-05-013	Idler Gear Retainer, FHC M6 x 1.0 x 58mm	1
27	01-01-042	Double Ended Stud, M6 x 1.0 x 49mm	2
28	01-07-009	Dowel Pin, 8 x 16mm	2
29	01-12-007	Copper Washer, 6 x 10 x 1mm	2
30	01-12-013	Copper Washer, 12 x 18 x 1.5mm	1
31	07-01-043	MY17+ Center Case Gasket	1
32	07-01-044	MY17+ Gen2 Primary Cover Gasket	1
33	07-01-045	MY17+ Gen2 Ignition Cover Gasket	1
34	07-08-003	VForce 4R Reed Cage, V426	1
-	07-01-046	MY17+ Engine Gasket Kit	-
-	07-05-029	Transmission Bearing Kit, Hot Rods #HR00088	-
-	07-11-005	Water Pump Kit, Hot Rods #WPK0049	-
-	07-05-030	Output Shaft Kit, Hot Rods #OSK0056	-

ITEM	PART NUMBER	DESCRIPTION	QUANTITY
1	07-04-009	MY17+ Crank Half, Drive	1
2	07-04-007	MY17+ Crank Half, XC Mag Taper	1
2	07-04-008	MY17+ Crank Half, SX Mag Taper	1
4	07-04-017	Crank Stuffer Button	4
5	07-04-016	Crank Stuffer Plate	2
6	01-01-087	FHC M5 x 0.8 x 16mm	12
7	01-09-038	Ball Bearing, NTN62-32 (32 x 65 x 17mm)	1
8	01-09-041	Roller Bearing, NJ207ET2XCS42 (35 x 72 x 17mm)	1
9	07-05-025	MY17+ Primary Drive Gear, 32T	1
10	07-05-027	MY17+ Balance Drive Gear, 32T	1
11	01-07-010	Dowel Pin, 5 x 16mm	2
13	01-02-013	Thin Hex Nut, M18 x 1.5 RH	1
14	01-13-003	Woodruff Key, 5 x 6.5 x 16mm	1
15	01-13-004	Woodruff Key, 3 x 5 x 13mm	1
16	01-06-020	O-Ring, 25 x 1.5mm, NBR70	1
17	-	KTM Crank Bushing, 28 x 38 x 8.5mm (#55430016000)	-
18	-	KTM Spring Washer, 18.6 x 28.5 x 2.6mm (#58132072000)	-
-	07-04-010A	MY17+ XC Crankshaft with Connecting Rod Kit	-
-	07-04-011A	MY17+ SX Crankshaft with Connecting Rod Kit	-
-	07-04-004	Crankshaft Bearing Kit with seals, Hot Rods #K066, ProX #23.CBS36004	-

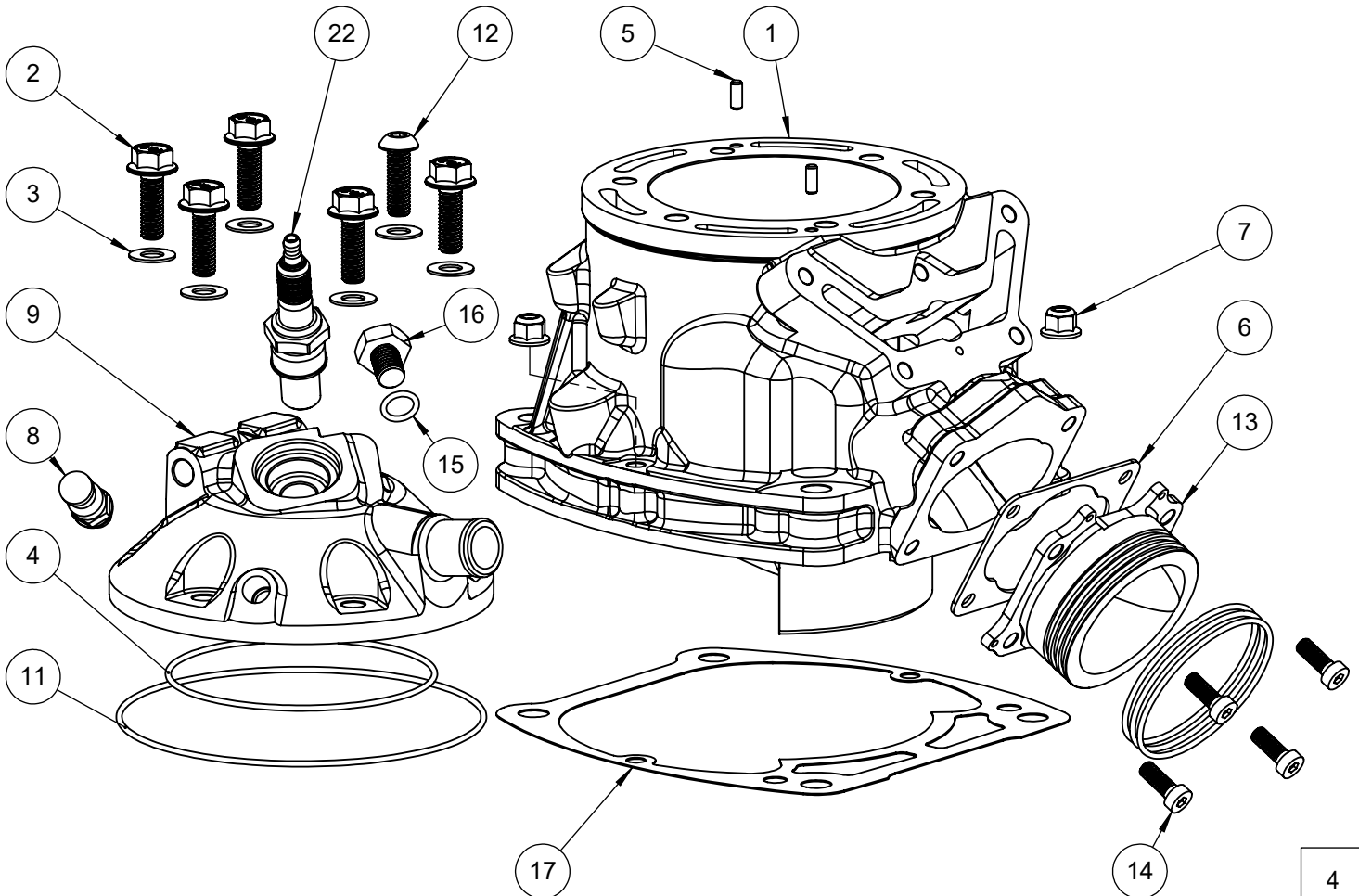




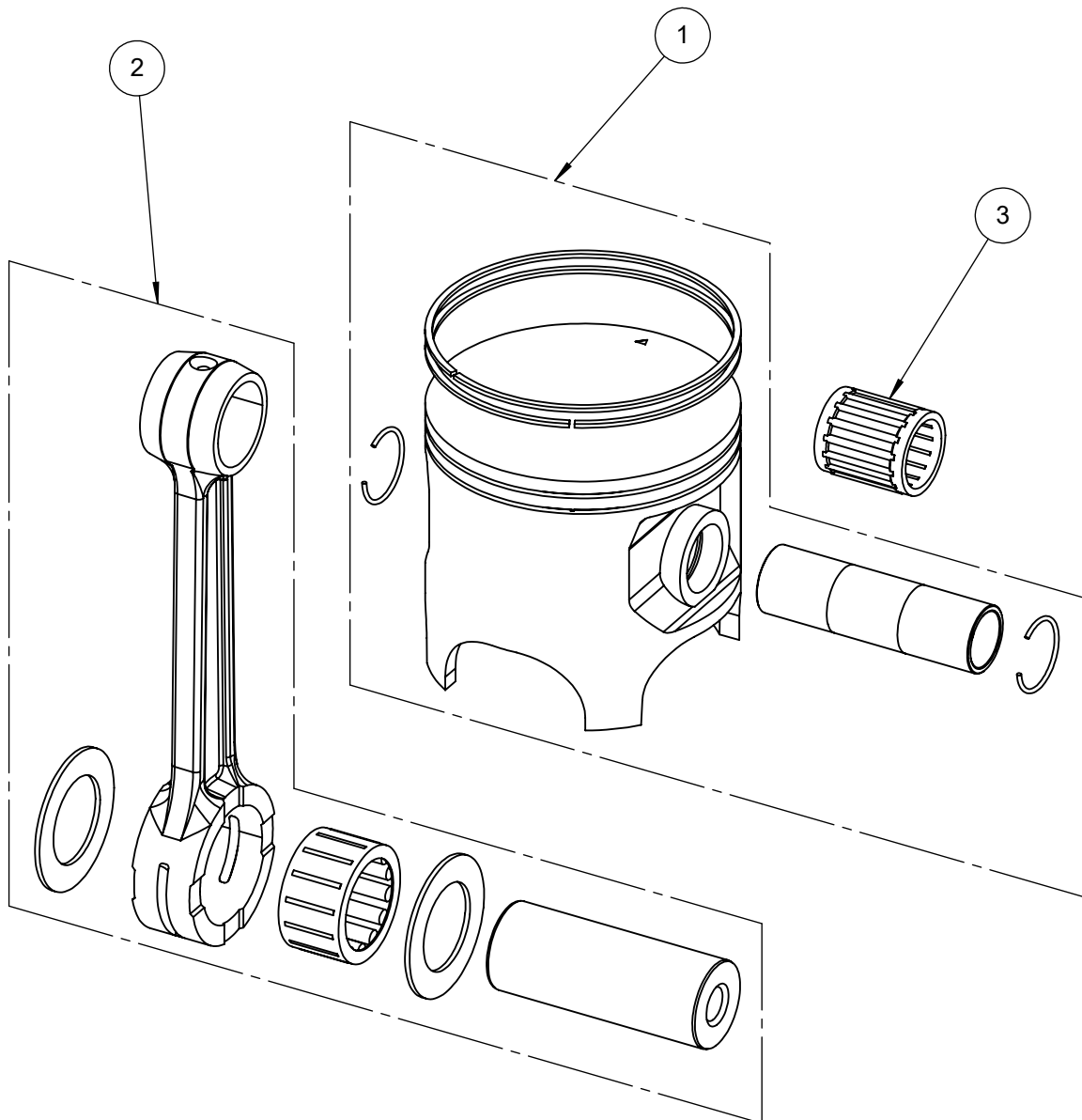
KTM MY17+ BRC500

CYLINDER

ITEM	PART NUMBER	DESCRIPTION	QUANTITY
1	07-02-012	MY17+ Cylinder, Machined	1
1	07-02-011	MY17+ Cylinder - TPI, Machined	1
2	01-01-088	Flanged Hex Bolt Gr 10.9, M8 x 1.25 x 25mm	5
3	01-12-006	Copper Washer, 8.3 x 16.5 x 0.9mm	6
4	01-06-017	O-Ring, 93 x 2mm NBR70	1
5	01-07-008	Dowel Pin, M4 x 10	2
6	07-09-002	Exhaust Gasket 1.5mm, Cometic EX1923064AM	1
7	01-02-011	Flange Nut Nylock, M6	2
8	01-15-004	Decompression Valve, M10x1	1
9	07-12-020	MY17+ Cylinder Head, 12.8:1 (standard)	1
10	07-12-023	MY17+ Cylinder Head, 14:1 (optional)	-
11	01-06-018	O-Ring, 128 x 2mm NBR70	1
12	01-01-142	BHC M8 x 1.25 x 25mm	1
13	07-09-010	MY17+ Exhaust Manifold	1
14	01-01-035	SHC M6 x 0.8 x 16mm Low Head	4
15	01-06-025	O-Ring 10 x 2mm, NBR, Non-TPI Only	1
16	01-01-149	Hex Bolt, M10 x 1.25 x 12mm, Non-TPI Only	1
17	07-02-005	Base Gasket 0.5mm, Cometic #B1417020F	1
17	07-02-004	Base Gasket 0.4mm, Cometic #B1417015F	1
17	07-02-003	Base Gasket 0.3mm, Cometic #B1417012F	1
18	01-06-024	O-Ring, 60x2mm, Viton	3
22	01-17-003	Spark Plug, NGK BPR7EIX (Standard)	1
22	01-17-008	Spark Plug, NGK BKR7EIX (6mm Shorter, 5/8" Hex)	-
22	01-17-009	Spark Plug, NGK BKR8EIX (Hot Weather, 6mm Shorter, 5/8" Hex)	-



ITEM	PART NUMBER	DESCRIPTION	QUANTITY
1	01-14-008	CR500 Piston Kit, Vertex 89mm #22447	1
2	01-11-003	CR500 Connecting Rod Kit, 144mm #3.1406	1
3	01-09-044	Wrist Pin Bearing, 20 x 25 x 29mm	1

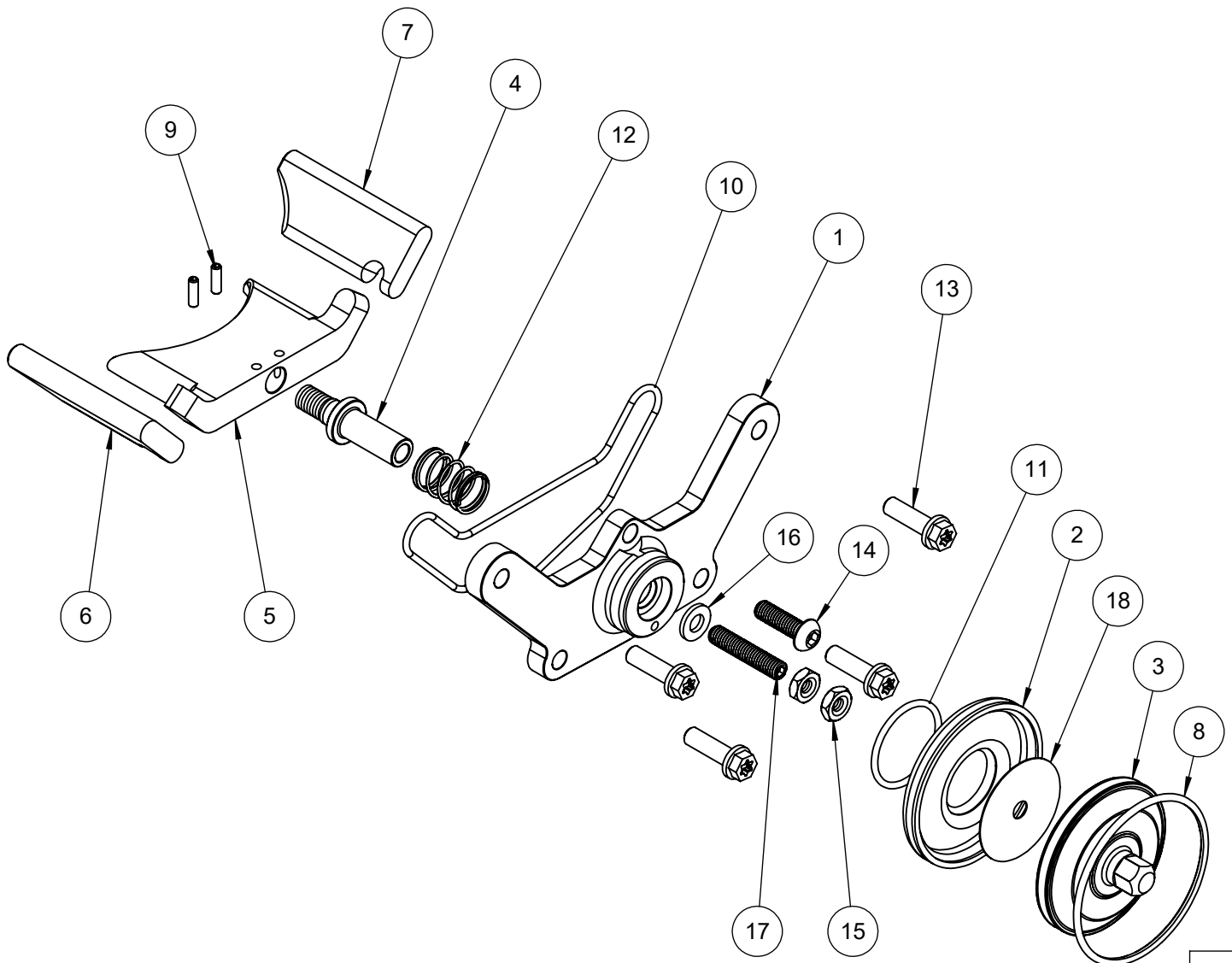




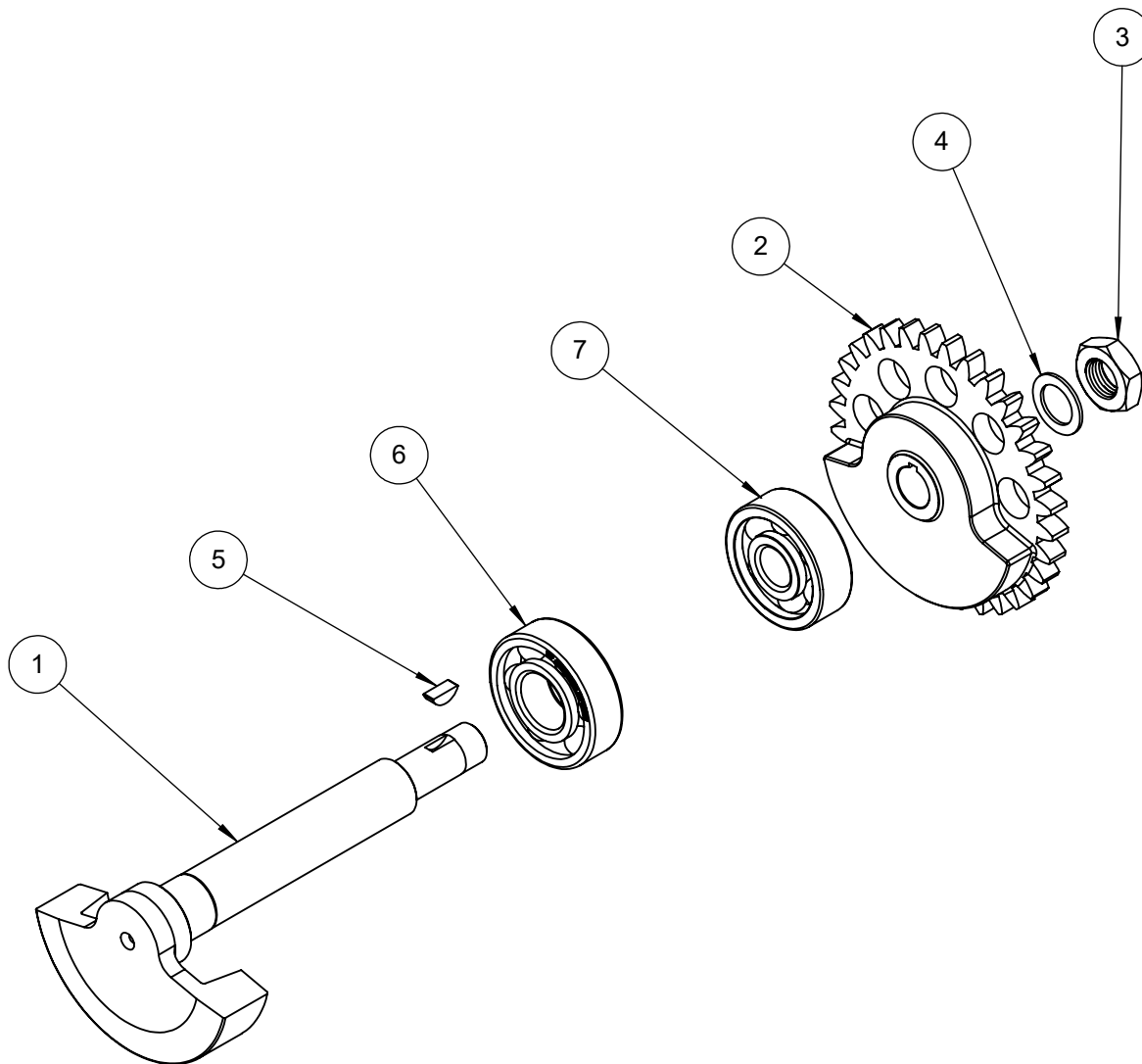
KTM MY17+ BRC500

POWER VALVE

ITEM	PART NUMBER	DESCRIPTION	QUANTITY
1	07-03-004	MY17+ Power Valve Cover	1
2	02-03-025	Pneumatic Power Valve Bellow	1
3	02-03-027	Pneumatic Power Valve Cap	1
4	07-03-009	MY17+ Power Valve Shaft	1
5	07-03-005	MY17+ Power Valve Blade, Main	1
6	07-03-006	MY17+ Power Valve Blade, Right	1
7	07-03-007	MY17+ Power Valve Blade, Left	1
8	02-03-026	Bellow Retaining Spring, Large	1
9	01-07-016	Spring Pin 3 x 10mm	2
10	01-06-023	O-Ring 83 x 2mm NBR70	1
11	02-03-035	Bellow Retaining Spring, Small	1
12	01-10-009	Power Valve Compression Spring	1
13	01-01-118	Euro Torx Hex Bolt T30M6 x 1.0 x 20mm	4
14	01-01-141	BHC M6 x 1.0 x 20mm	1
15	01-02-008	Hex Nut Thin M6 x 1.0	2
16	01-03-045	Washer, 6x12x1.5mm	1
17	01-01-145	SHSS Cup Point M6 x 30mm	1
18	07-03-010	Power Valve Cap Shield	1



ITEM	PART NUMBER	DESCRIPTION	QUANTITY
1	07-05-028	MY17+ Balance Shaft	1
2	07-05-026	MY17+ Balance Shaft Driven Gear, 32T	1
3	01-02-014	Thin Hex Nut, M12 x 1.25	1
4	01-03-043	Shim, 12 x 18 x 1mm	1
5	01-13-006	Woodruff Key, 3 x 3.7 x 10mm	1
6	01-09-004	Ball Bearing, 6203C3 (17 x 40 x 12mm)	1
7	01-09-051	Ball Bearing, 6301C3 (12 x 37 x 12mm)	1



Engine Conversion Kit	1 - Stamped Pipe	2 - Silencer
KTM MY17-19 XC	07-09-017	07-09-019
Husky MY17-18 TE300	07-09-017	07-09-025
Husky MY17-18 TX300	07-09-017	07-09-025
Husky MY18-19 TE300i	07-09-017	07-09-025
KTM MY17-18 SX	07-09-017	07-09-019
KTM MY17-19 XC-W	07-09-017	07-09-019
KTM MY19-22 SX	07-09-018	07-09-023
KTM MY19-22 XC	07-09-018	07-09-023
GasGas MY21+ EC300	07-09-018	07-09-023
GasGas MY21+ EX300	07-09-018	07-09-023
Husky MY20-22 TX300i	07-09-018	07-09-027
Husky MY20-23 TE300i	07-09-018	07-09-027
KTM MY20+ XC-W TPI	07-09-018	07-09-023
Husky MY19 TX300	07-09-018	07-09-027

