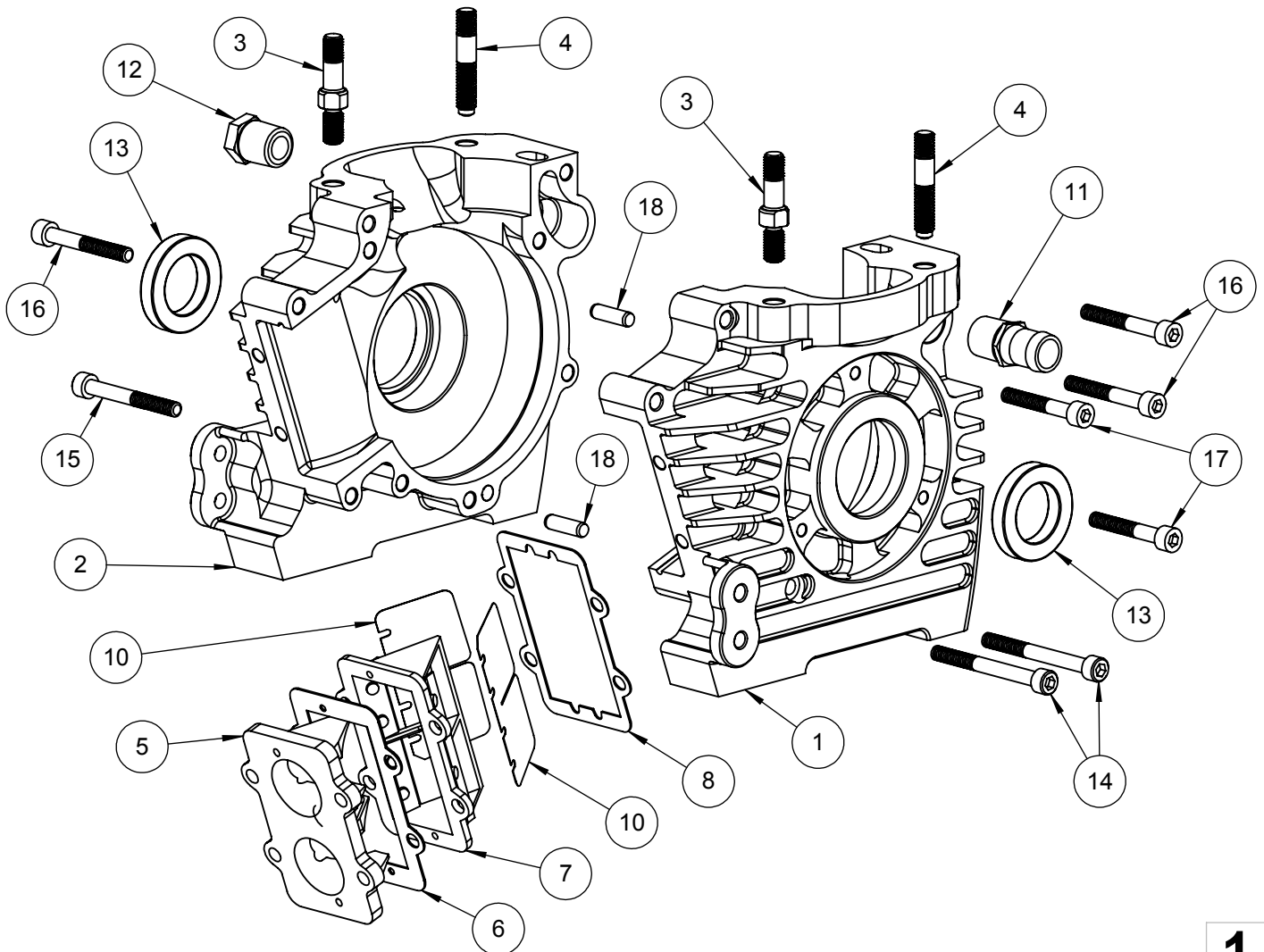
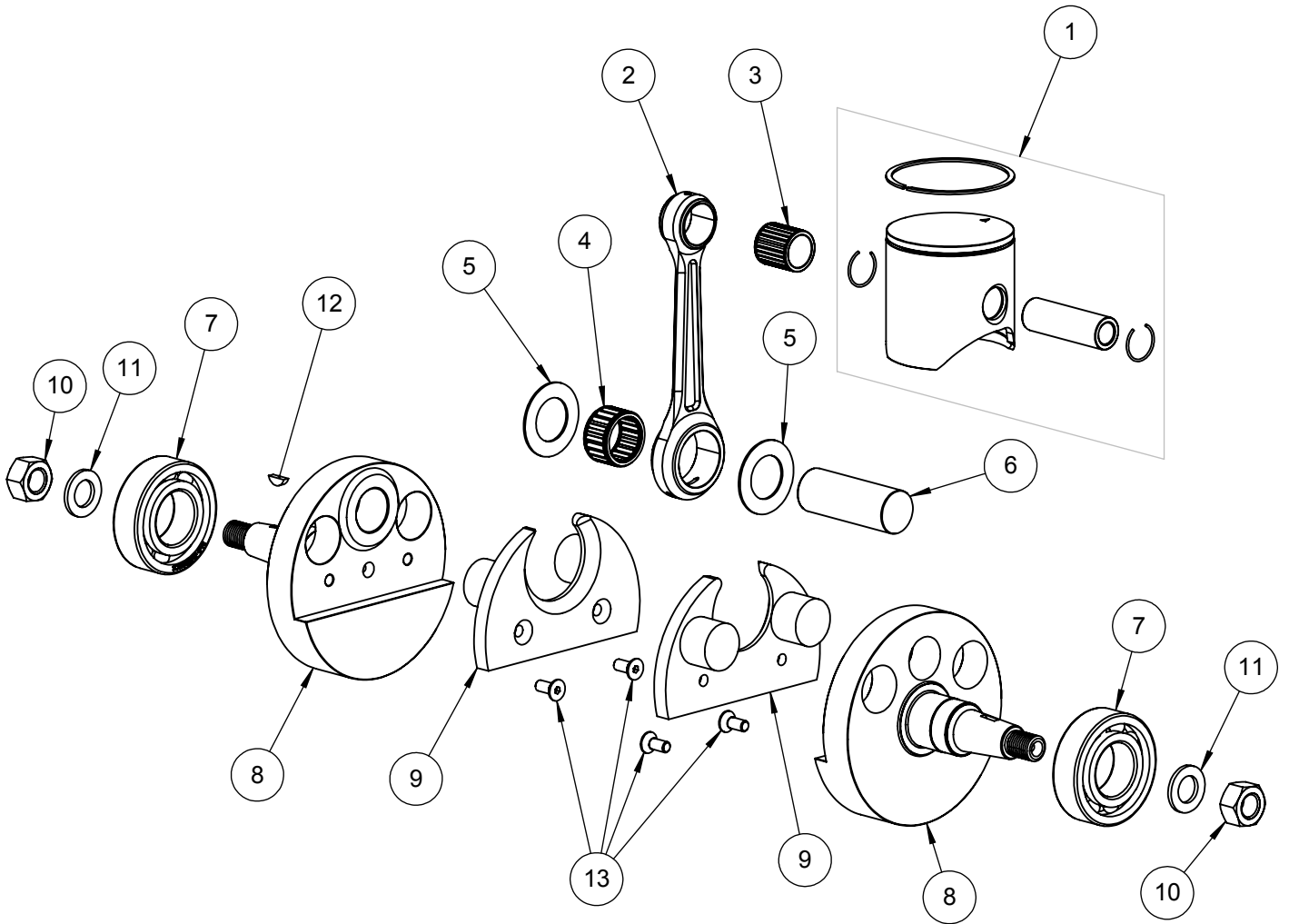


BRC Engineering Ltd.
655 42nd Ave N.E.
Calgary, Alberta
Canada T2E 6S1
Tel: 403-216-0630
Web: www.brceng.com

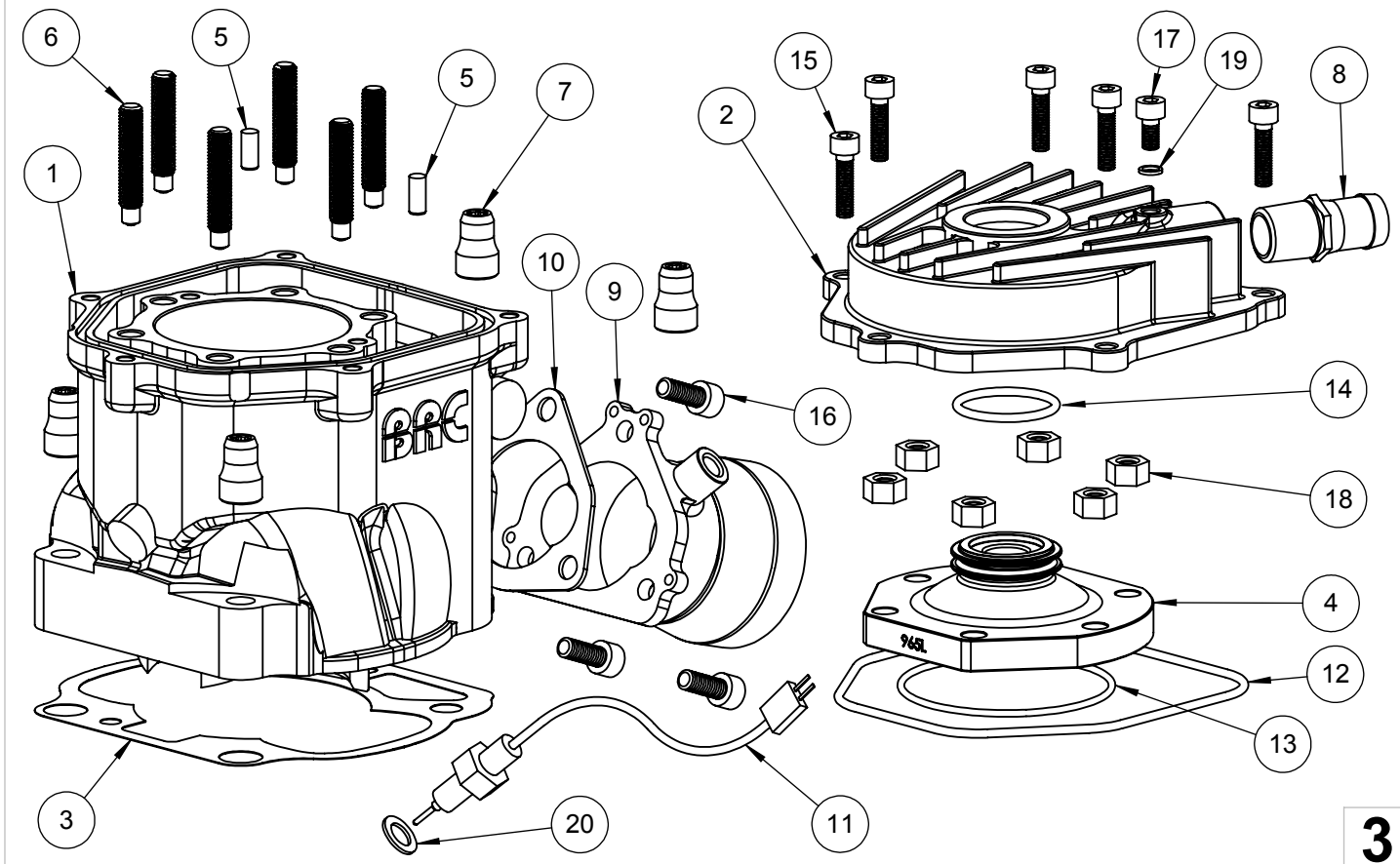
ITEM	PART NUMBER	DESCRIPTION	QTY
1	05-01-001	150WW - LH Case	1
2	05-01-002	150WW & RR - Common RH Case	1
3	02-01-024	Cylinder Case Stud with Dowel Fit	2
4	02-01-008	Cylinder Case Stud	2
5	05-08-001	Dual Intake Manifold	1
6	05-08-004	Intake Manifold Gasket	1
7	05-08-003	Reed Cage	1
8	05-08-005	Reed Cage Gasket	1
9	05-08-007	Reeds - Plastic - Option 1	2
10	05-08-006	Reeds - Carbon - Option 2	2
11	02-02-005	Hose Fitting - 3/8" NPT to 5/8" Barb	1
12	05-02-006	Plug - 3/8" NPT	1
13	01-08-001	Oil Seal - 25 x 40 x 7mm	2
14	01-01-001	SHC M6 x 1.0 x 60mm	2
15	01-01-003	SHC M6 x 1.0 x 50mm	1
16	01-01-032	SHC M6 x 1.0 x 45mm	3
17	01-01-013	SHC M6 x 1.0 x 40mm	2
18	01-07-008	Dowel Pin - M6 x 20mm	2



ITEM	PART NUMBER	DESCRIPTION	QTY
1	05-02-002	Piston Kit - 58mm	1
2	05-04-007	Connecting Rod - 110mm	1
3	01-09-008	Needle Bearing - 15 x 19 x 20mm	1
4	01-09-016	Needle Bearing - 20 x 26 x 15mm	1
5	01-03-009	Thrust Washer - 20 x 33 x 1mm	2
6	05-04-006	Solid Crank Pin - 20mm	1
7	01-09-030	Ball Bearing - 6205/C4 (poly cage)	2
8	05-04-001	150WW - Mag Taper Crank Half	2
9	05-04-003	150WW - Crank Stuffer	2
10	01-02-009	Hex Nut - M12 x 1.0	2
11	01-03-002	Washer - 12.5 x 21.5 x 2mm	2
12	01-13-001	Woodruff Key - 3 x 3.7mm	1
13	01-01-040	FHC M5 x 0.8 x 12mm	4



ITEM	PART NUMBER	DESCRIPTION	QTY
1	05-02-001	150cc Cylinder - No Power Valve	1
2	05-02-007	Head Cover	1
3	01-12-000	Base Gasket - 0.13mm Thick	
3	01-12-001	Base Gasket - 0.25mm Thick	
3	01-12-002	Base Gasket - 0.30mm Thick	
3	01-12-003	Base Gasket - 0.38mm Thick	
3	01-12-004	Base Gasket - 0.50mm Thick	
4	05-12-003	Combustion Insert - 965L	1
5	01-07-005	Dowel Pin - 5mm x 12mm	2
6	01-01-025	Cylinder Head Stud - M7 x 1.0	6
7	01-02-002	Cylinder Nut - M8 x 1.0	4
8	02-02-005	Hose Fitting - 3/8" NPT to 5/8" Barb	1
9	05-09-001	Exhaust Manifold	1
10	01-12-005	Exhaust Manifold Gasket	1
11	02-09-006	M8 x 1.25mm EGT Probe (optional)	1
12	01-06-011	O-Ring - 113mm x 2mm	1
13	01-06-006	O-Ring - 61mm x 2mm	1
14	01-06-005	O-Ring - 27mm x 2.5mm	1
15	01-01-009	SHC M5 X 0.8 X 20mm	5
16	01-01-015	SHC M6 x 1.0 x 16mm	3
17	01-01-013	SHC M5 x 0.8 x 10mm	1
18	01-02-001	Hex Nut - M7 x 1.0	6
19	01-12-010	Gasket - 5 x 7 x 1mm	1
20	01-12-006	Gasket 8 x 12 x 1mm	1



ITEM	PART NUMBER	DESCRIPTION	QTY
1	05-07-005	Ignition Coil	1
2	05-07-003	Ignition Stator	1
3	05-07-002	Ignition Rotor - IAME Super Taper	1
4	02-07-010	Spark Plug - NGK BR9EG	1
5	02-07-013	Spark Plug Cap	1
6	05-07-007	Vibration Isolator - M6	2
7	01-01-012	SHC M5 X 0.8 X 35mm	2
8	01-01-011	SHC M5 X 0.8 X 25mm	1
9	01-02-003	Hex Nut Nylock - M6 x 1.0	4
10	01-03-018	Washer - 5.5x10x1mm	3

